

SPECIFICATIONS

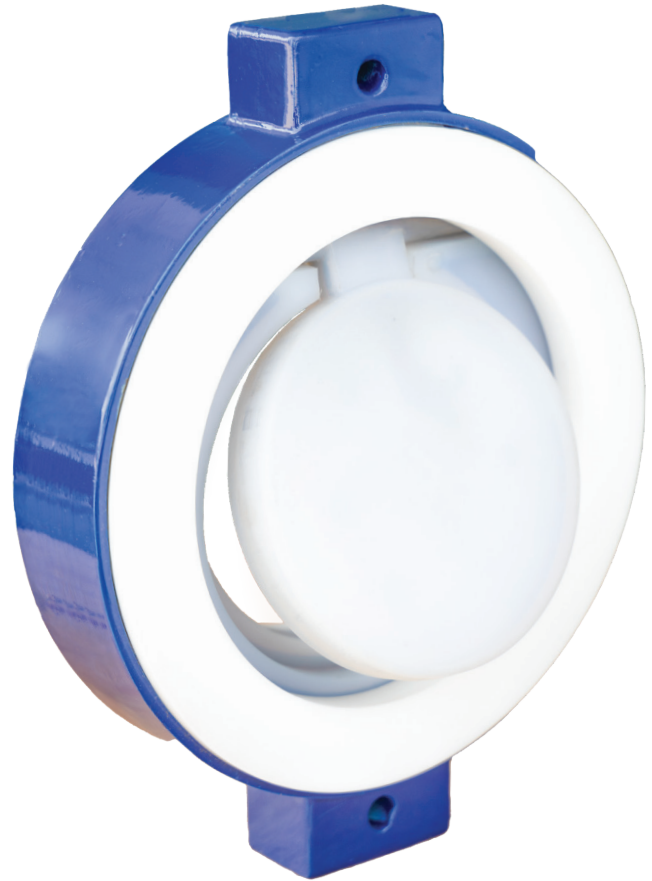
Design Parameters	Standard
Shell Design	ASME B 16.34
Face To Face Dimensions	ASME B16.10 (wafer)
Flange Connection Rating	ASME B 16.5 150# / DIN PN 10
Testing Standard	BS EN 12266-1
Connection	WAFER, RF

Pressure / Temperature Ratings	
2" - 8"	225 psig at 104°F 85 psig at 400°F
10" - 18"	140 psig at 120°F 70 psig at 400°F

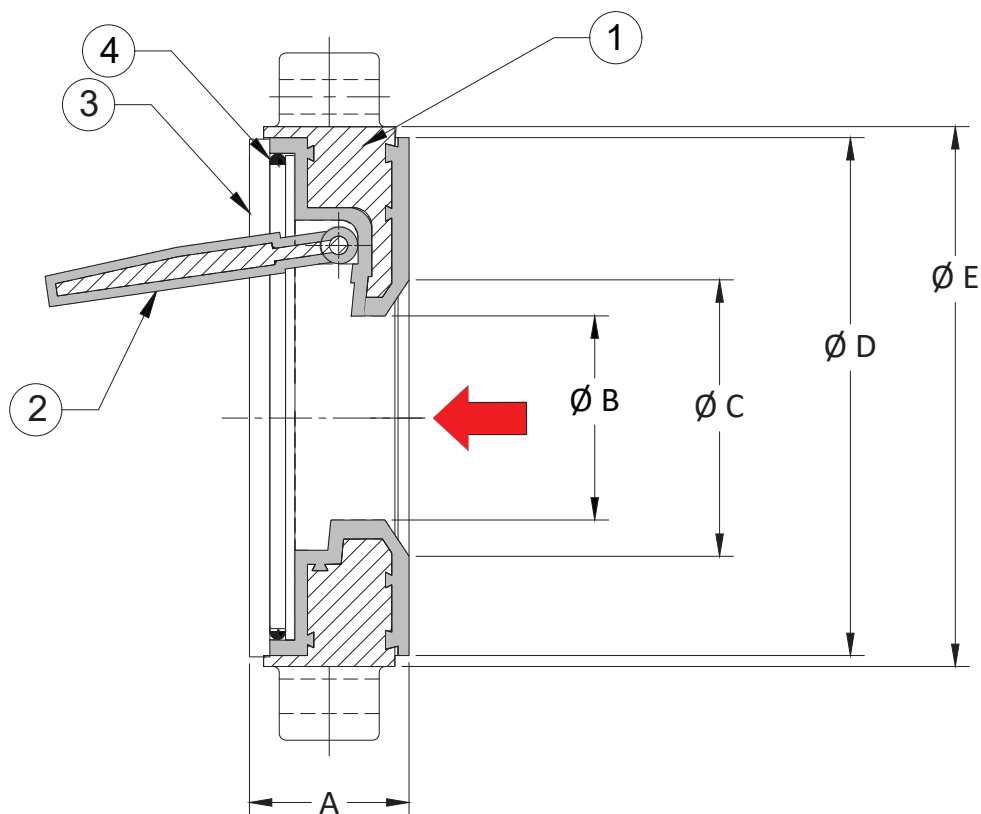
Temperature Range	
ASTM A216 WCB	-20°F to +400°F
ASTM A351 CF8M	-49°F to +400°F

Tests Performed	EN 12266-1	
Sizes	2" - 18"	
High Pressure Shell Test Hydro	2" - 8"	340 psig
	10" - 18"	213 psig
High Pressure Seat Test Hydro	2" - 8"	250 psig
	10" - 18"	156 psig
Low Pressure Seat Test Pneumatic	45 PSI	

Spark Test	KVDC
Testing Done At	20 KVDC



Part No.	Description	Materials of Construction	Qty
1	Body	ASTM A 216 GR WCB or A351 CF8M PFA LINED, 3mm minimum thickness	1
2	Flap	ASTM A 351 CF8 or A351 CF8M PFA LINED, 3mm minimum thickness	1
3	Locking Ring	PTFE or TFM	1
4	D Ring	Viton	1

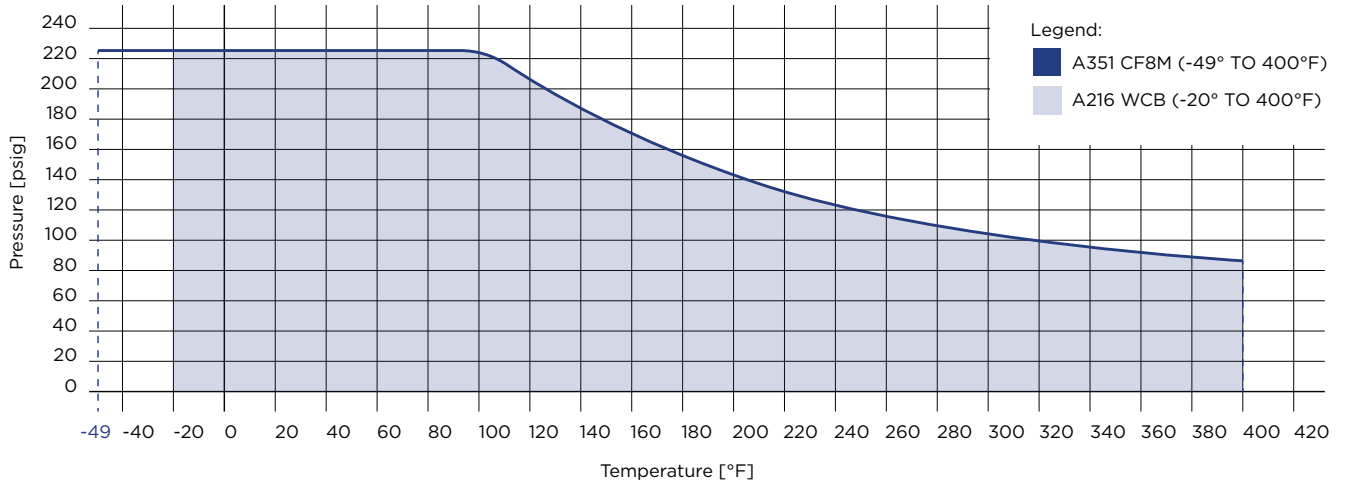


DIMENSIONS (in)

Size	A ±0.12	øB ±0.04	øC ±0.04	øD ±0.04	øE ±0.08
2 in	1.57	1.06	1.89	3.62	4.00
3 in	1.81	1.69	2.36	4.96	5.31
4 in	2.01	2.56	3.15	6.50	6.73
6 in	2.20	4.37	5.04	8.30	8.62
8 in	2.40	5.23	6.89	10.60	10.79
10 in	2.68	7.24	8.82	12.81	13.19
12 in	3.07	9.13	10.71	15.20	15.98
14 in	3.46	9.06	10.83	16.73	17.44
16 in	4.01	11.80	12.99	18.50	19.29
18 in	4.50	13.38	14.74	21.00	20.66

P-T GRAPH | SWING CHECK VALVE (SCV)

2" - 8"



10" - 18"

